

# Chemically Inert Moulded Body Solenoid Valve

## PKV Series



### Moulded 3-way PKV series valve now available

#### Features

φ 4-6mm is its orifice diameter, which enables it to be used in a wide-range of fluid control applications for various kinds of analysis, IVD diagnostics, medical, and other life science instruments, etc., which necessitate such large orifice. An elastomer is employed for the seal material, reducing damage to the valve seat by foreign matters in the fluid and the associated leak trouble.

#### Specifications

Model Number	PKV-2(21) × -B × × ×	PKV-02(021) × -D × × ×	PKV-3(31) × -B × × ×	PKV-3(31) × -D × × ×
Type	2-way N.C.	2-way N.O.	3-way	
Orifice Diameter	4 mm equiv.	6 mm equiv.	4 mm equiv.	6 mm equiv.
Port Connection	Rc1/8, Rc1/4, 1/8-27NPT, 1/4-18NPT, (※) hose barb <※ only available for 2-way>			
Operating Pressure	IN: -90 ~ 200 kPa	IN: -50 ~ 200 kPa	COM: -90 ~ 100 kPa	COM: -50 ~ 100 kPa
Range	OUT: 0 ~ 50 kPa	OUT: 0 ~ 50 kPa	N.C., N.O.: 0 ~ 50 kPa	N.C., N.O.: 0 ~ 50 kPa
Fluid Temp. Range	0 ~ 60 °C (5 ~ 60 °C in the case the seal material is perfluoroelastomer)			
Ambient Temp. Range	0 ~ 60 °C		0 ~ 40 °C	
Rated Voltage	12VDC, 24VDC, 90VDC, 100VAC (50/60Hz, with a rectifier)			
Power Consumption	6 W		10 W	
Duty Cycle	Continuous			
Insulation Class	Class B			
Dielectric Strength	1500 VAC for 60 s			
Diaphragm Material	PTFE			
Seal Material	EPDM, FPM, Perfluoroelastomer			
Body Material	PPS, PEEK			

Note: Specifications etc. may be changed at any time without notice.

#### TAKASAGO ELECTRIC, INC.

No.5 XingHan Street BLK B# 06-01/08 SuZhou Industric Park SuZhou City  
JiangSu Province China

Tel +86-512-67610522 Fax +86-512-67610533

E-mail: info@takasago-elec.net URL: <http://www.takasago-elec.com.cn/>

# Model Number

PKV - X X - X X X X

## Type

02	2-way N.O.
021	2-way N.O. (*)
2	2-way N.C.
21	2-way N.C. (*)
3	3-way
31	3-way (*)

## Orifice

B	φ4mm
D	φ6mm

## Body Material

R	PPS
K	PEEK

## Port Connection

1/8	Rc1/8
1/4	Rc1/4
1/8N	1/8-27NPT
1/4N	1/4-18NPT
N2	Hose barb (only available for 2-way)

## Installation Method

3-way	-	Frame and Underside M4 screws
	B	with mounting base
2-way	-	Frame M4 screws
	A	Underside M4 screws
	B	with mounting base

## Seal Material

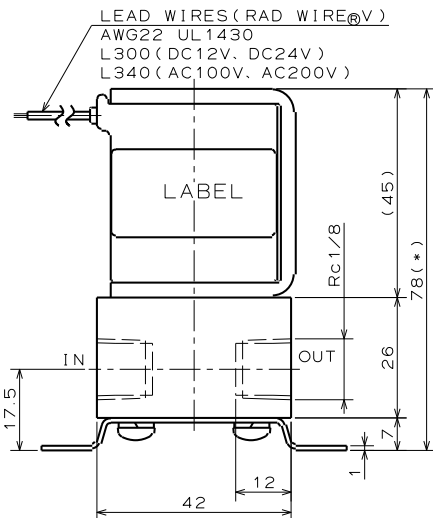
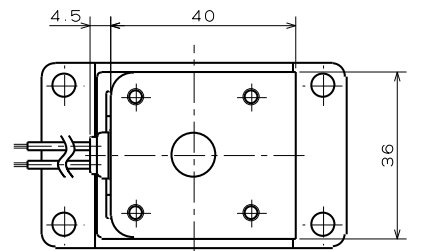
E	EPDM
F	FPM
G	Perfluoroelastomer

\*Available only when seal material is "G".

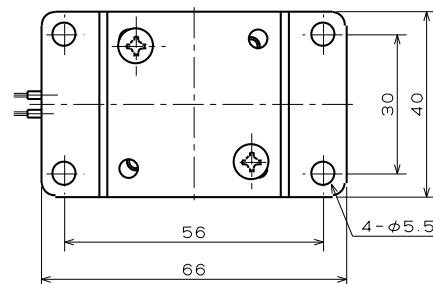
# Dimensions

## PKV-2K-B1/8GB

(2-way N.C., Rc1/8, with mounting base)

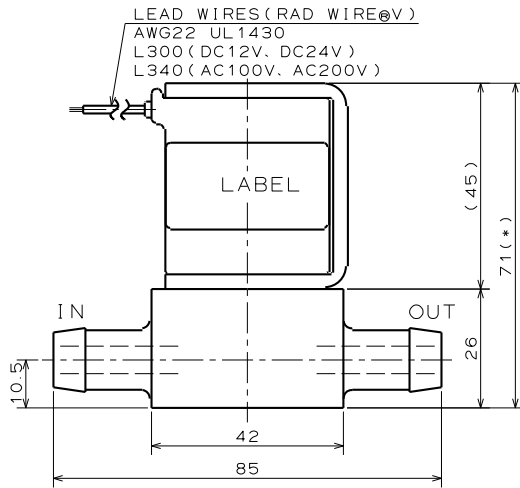
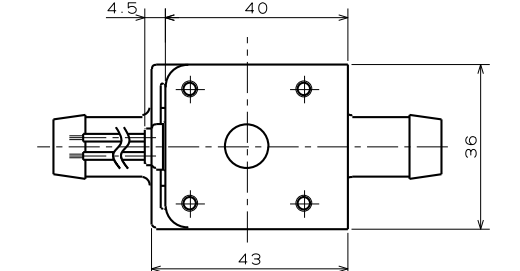


\*Height is 85.3mm in the case of N.O. Type.

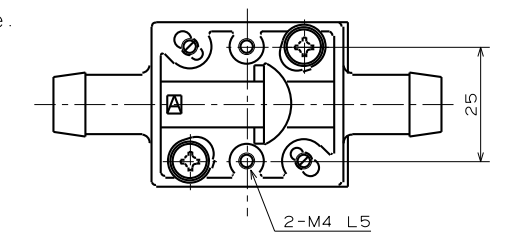


## PKV-2K-DN2GA

(2-way N.C., Hose barb, Underside M4 screws)



\*Height is 85.3mm in the case of N.O. Type.



## PKV-3R-B1/8F

(3-way, Rc1/8, Frame and, Underside M4 screws)

